

Model # OG-1260K-MX

Model # OG-1260K-MX, 3-PH 380/400/415V AC, On Grid PV Inverter 1.26MW System

Product Description

Easy Maintenance

- Modular components make service efficient
- Convenient access to all components
- Customizable large in-floor cable gland plates make installation of DC and AC cables easy
- Integrated DC two-pole disconnect switch isolates the inverter, with the exception of the GFDI (Ground Fault Detection and Interruption) circuit, from the photovoltaic power system to allow inspection and maintenance

Safety & special compliance

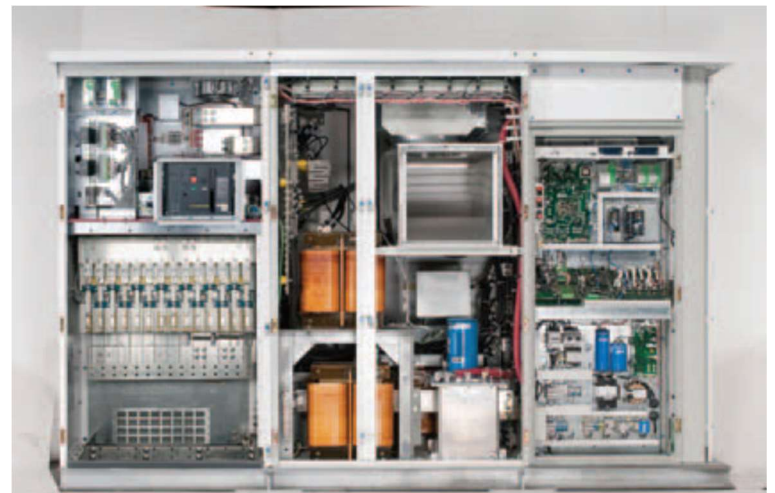
- Seismic Zone 4 compliant
- Built in DC disconnect Switch and AC Breaker
- Protective covers over exposed power connections

Full data display and communications

- Customization LCD display all the inverter operation message
- Bright LED indicators imply system status at a glance
- PC software for remote monitoring and system troubleshooting
- High speed RS-232, RS-485 communications port.

Key Features

- 25years of design life
- IP54 containment system
- Redundant control circuit design for more reliability
- Unique low voltage ride through (LVRT) function
- Advanced DSP control systems
- Supports SVG function, realization of power reactive compensation at night
- Supports variety of communication protocols
- 5 Years warranty extendable to 10 Years



Applicable Standards

- ❖ ISO9001 & ISO14000
- ❖ Compliance to RoHs
- ❖ CE
- ❖ IEC62109, VDE 0126-1-1, VDE-AR-N4105, EN50178, VDE0126-1-1, EN61000-3-2, EN61000-6-2, EN61000-6-3, ENEL-Guide, G59, G83, RD1663AS4777, AS/NZS 3100, CGC CE

Model # OG-1260K-MX

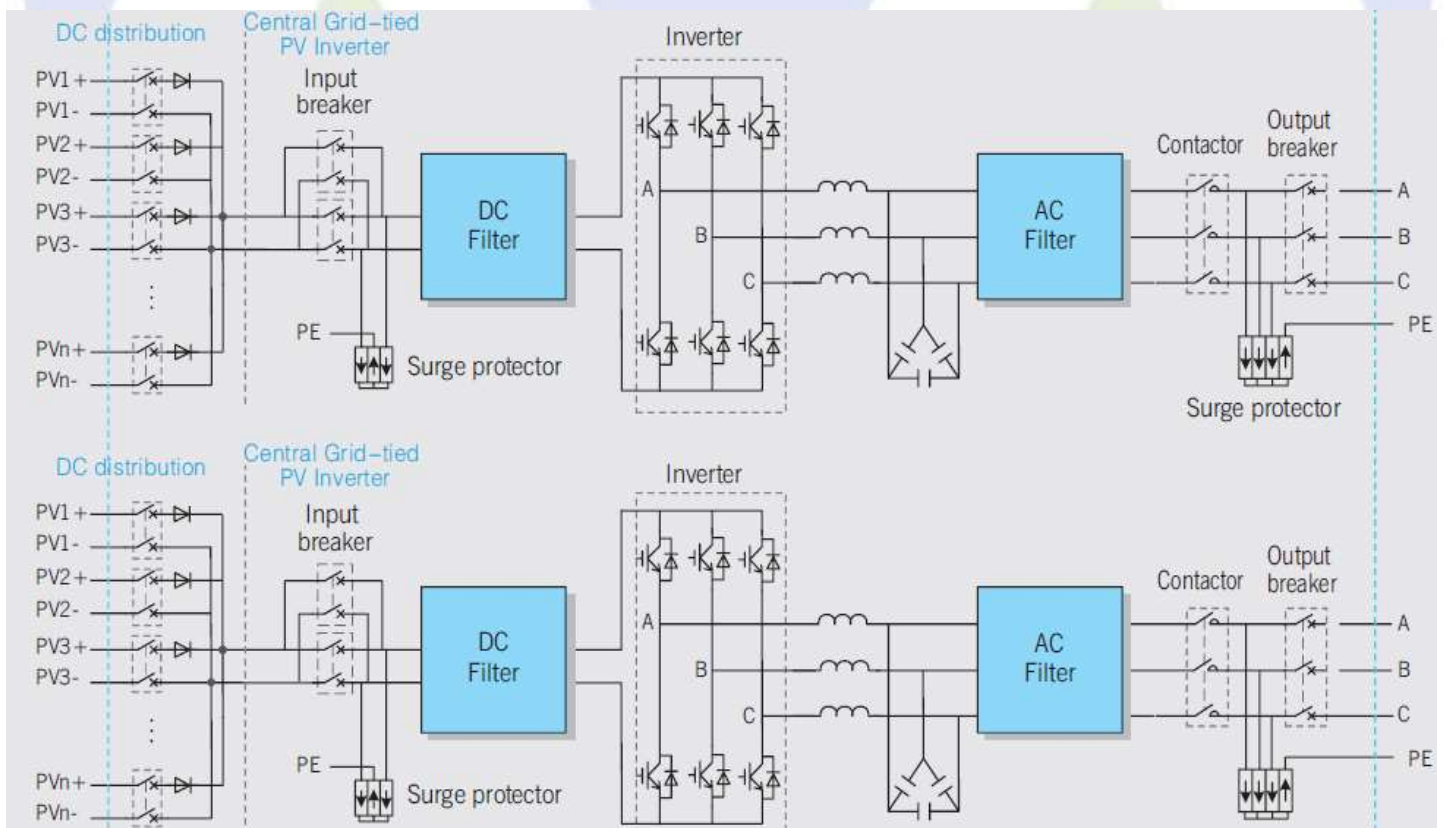
Specification

MODEL	OG-1260K-MX
INPUT	
Max. DC input power	1386KW
Max. DC input voltage	1000Vdc
MPPT tracking voltage range	450~850Vdc (Rated voltage 576Vdc)
Number of MPPT tracking	1
Number of DC input tracking	20
Max. input current	2880A
OUTPUT	
Rated output power	1260KW
Rated output voltage	315/400Vac
AC output topology	3Ph+PE
Output voltage range	(1±15%) x Normal AC Voltage (adjustable ±5%,±10%,±15%,±20%)
Gird frequency range	50/60Hz(±4.5Hz), (adjustable)
Rated AC output current	2310A
Max. AC output current	2424A
Power factor (cosΦ)	1 (0.9 leading – 0.9 lagging) (adjustable)
Total harmonic current distortion (THDi)	<3%
SYSTEM FEATURES	
Max. efficiency	>98.5%
Euro efficiency	>98.1%
MPPT efficiency	>99%
Standby(night time) losses	<220W
Cooling	Forced air cooling
Communication interface	RS485, external Ethernet (optional)
ENVIRONMENTAL	
Operating temperature	-40.0 to 55.0 °C
Humidity range	0~95% (non-condensing)

Model # OG-1260K-MX

Altitude	3000m
Noise level	<70dB
Protection rating	IP54
PHYSICAL	
Dimension W×H×D (mm)	6058×2896×2438
Net Weight (kg)	7200
STANDARDS	
Safety	IEC/EN62109-1, IEC/EN62109-2, CNCA/CTS0004 :2009A, CNCA/CTS0006-2010, LVRT, etc
EMC	IEC/EN61000-6-2, IEC/EN61000-6-4, etc

System Layout



For OG1000K-MX, n=10