

Model # OG-90K-FM

Model # OG-90K-FM Series, 3-PH 400V AC, Grid Tie String Inverters with Built in 4xMPPT Controllers



Product Description

OG-90K-FM String Inverter Series is the ideal solution for commercial & industrial usage. Parallel capability upto 100nos allows to simply up the scalability and enhancing the overall plant capacity. With the characteristics of dual independent input sections with four independent MPP trackers, wide MPPT tracking range, True three phase transformer-less design, IP65 harshest industrial grade protection level, convectional cooling system and embedded RS485, WIFI and optional SNMP interface, it forms Magnizon Trio String Inverter an ideal solution for medium and large PV Power Station.

Model # OG-90K-FM

Key Features

- Wide PV input voltage range
- Rapid MPPT tracking technology
- 25years of design life
- IP65 protection degree, suitable for outdoor installation, reducing
- Redundant control circuit design for more reliability
- Unique low voltage rides through (LVRT) function
- Advanced DSP control systems
- Supports SVG function, realization of power reactive compensation at night
- Supports variety of communication protocols
- 5years warranty extendable to 10years
- Superior PV energy harvest
- Transformers less design with higher operation efficiency
- Excellent natural thermal design
- High over load capability under most ambient conditions

Full data display and communications

- Customization LCD display all the inverter operation message
- Bright LED indicators imply system status at a glance
- PC software for remote monitoring and system troubleshooting, iOS & Android based real time power monitoring software (free for life time)
- High speed RS-232, RS-485 communications port.

Cost advantages

- Transformer less design cutting down the cost
- Light weight and small dimension, reducing shipping cost
- IP65 protection degree, suitable for outdoor installation, reducing
- Construction cost
- Low maintenance expense

Applicable Standards

- ISO9001: 2015, ISO14001:2015
- Compliance to RoHs & CE
- IEC62109-1, IEC62109-2, NBT/T32004, EN61000-6-2/3/4, EN61000-3-11/12
- VDE-AR-N 4105, IEC61727, G59, G83, RD1663AS4777

Model # OG-90K-FM

Specification

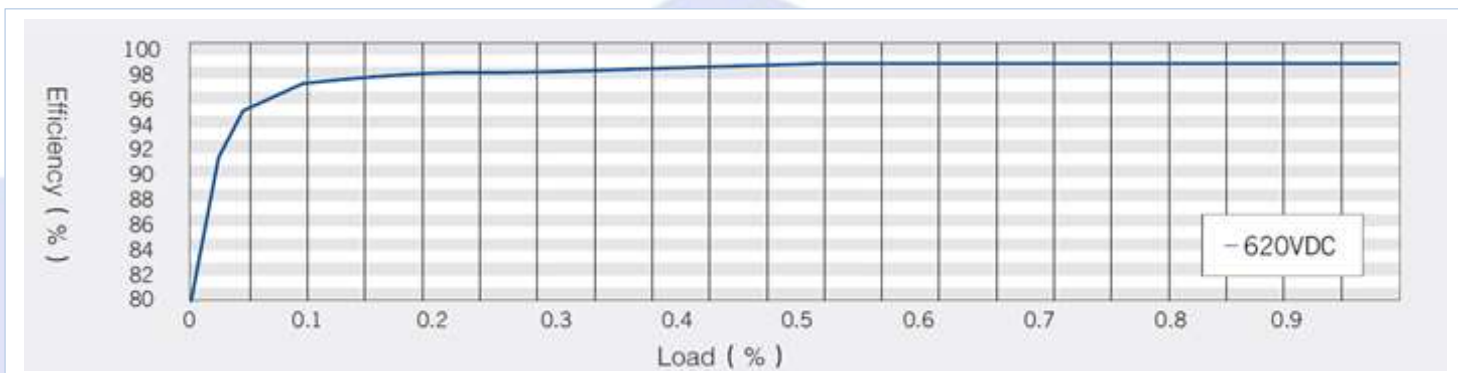
MODEL	OG-90K-FM
INPUT (DC)	
Max. DC input power	108000W
Max.DC input voltage	1100Vdc
Max. Input Current	160A (40/40/33/33)
MPPT tracking voltage range	200~950Vdc
MPPT operating voltage range (full load)	540-850V
Min. / start DC voltage	200 / 250Vdc
Number of MPPT tracking	4
Maximum number of PV strings	15 (4/4/3/3)
OUTPUT (AC)	
Rated AC active power	90KW
Max. AC active Power (Pf=1)	99KW
Max. AC apparent power	99KVA
Rated output voltage	380/400/415Vac
AC output topology	3Ph+N+PE
Output voltage range	(1±15%) x Normal AC Voltage (adjustable ±5%,±10%,±15%,±20%)
Gird frequency range	50/60Hz(±4.5Hz), (adjustable)
Max. AC output current	150A
Power factor (cosΦ)	(0.8 leading – 0.8 lagging) (adjustable)
Total harmonic current distortion (THDi)	<3%
DC Current Injection	<0.5%In
PRTECTION DEVICES	
Input DC switch	YES
Anti-islanding protection	YES
AC overcurrent protection	YES
AC short circuit protection	YES
DC reverse connection	YES

Model # OG-90K-FM

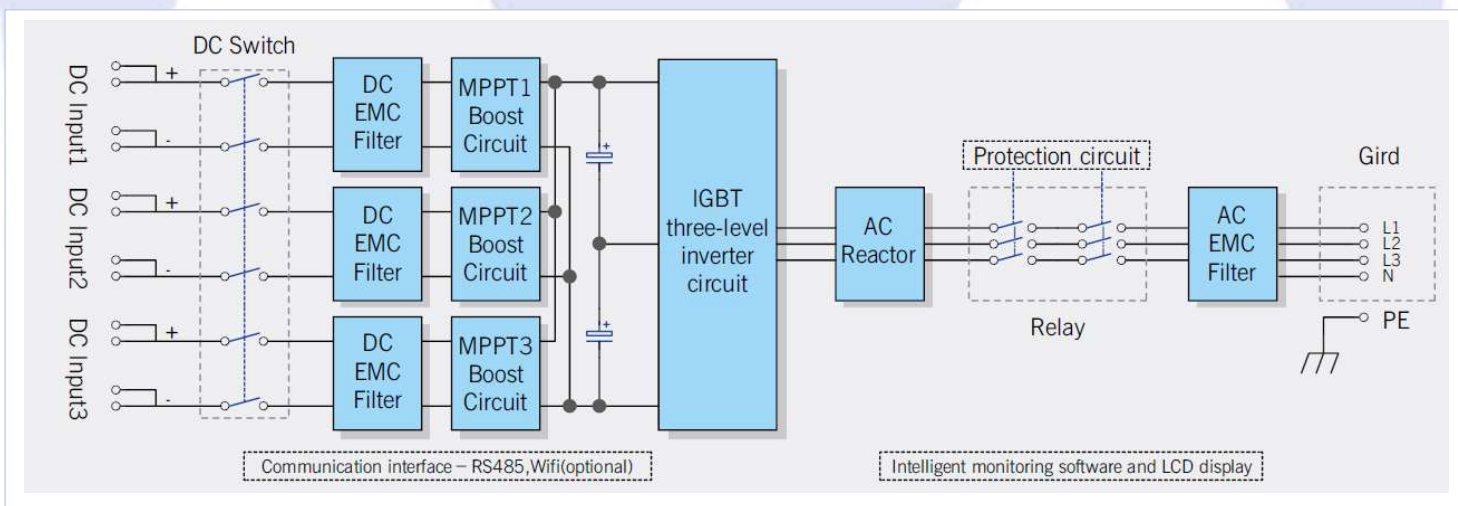
Anti-surge protection	YES
Insulation resistance detection	YES
Leakage current protection	YES
Intelligent reactive power regulator	YES
PID	YES
SYSTEM FEATURES	
Topology	Transformer less
Max. efficiency	>98.8%
Euro efficiency	>98.4%
MPPT efficiency	>99%
Standby(night time) losses	<10W
Front Panel	LED/LCD Display
Cooling	Natural Cooling
Communication interface	RS485, WIFI, GPRS(optional)
Warranty	5years(optional 10/15/20years)
ENVIRONMENTAL	
Operating temperature	-25.0 to 60.0 °C
Humidity range	0~99% (non-condensing)
Altitude	4000m
Noise level	<30dB
Protection rating	IP65
PHYSICAL	
Dimension W×L×D (mm)	855mm*555mm*275mm
Net Weight (kg)	71kgs
STANDARDS	
Grid Code	NB/T32004, VDE-AR-N 4105, IEC 61727
Safety/TUV	IEC62109-1, IEC62109-2
EMC	EN 61000-6-2 , EN 61000-6-3, EN 61000-6-4, EN 61000-3-11, EN 61000-3-12
Quality Standards	ISO9001:2015, ISO14001, RoHs

Model # OG-90K-FM

Efficiency (%)



Control Scheme



Bottom view

