



Product Description

Magnizon SVD-025K3 solar pump inverter, efficiently drives the pump motors by advanced maximum Power Point Tracking (MPPT) technology. Magnizon solar inverters support solar panel input, and AC main power or generator input. It can work 24hours with enough power support. 100% compliance with CE safety/EN/IEC 60068-2-27. Compatible with all kinds of motors & pumps including asynchronous & synchronous, submersible and surface mount.

Application

Existing AC motor based systems can be used: Conventional AC induction motors are generally used for water pumping system, so with this advancement in technology there is no need to replace the existing pump/motor/pipes/cables. Simply user can add Solar Panel & controller to run existing AC motor during day time and at night Grid power can be used (dual input systems).

Key Features

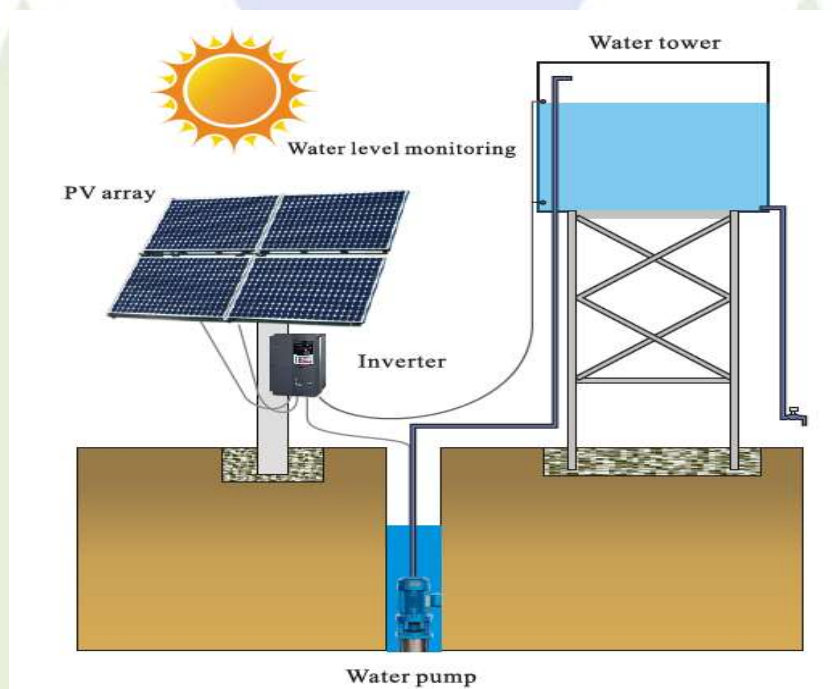
- With no water alarm, timing to restart functions. When the pool has no water, the will stop, and then it will restart after interval set or water level raises to safe level.
- When the pool is full, the solar inverter automatically stops, and it will show it in solar inverter`s panel.
- Reliable: Solar inverter power supply are seldom used in the moving parts; the work is reliable
- Safety: No other public nuisance. Don't have any solid, liquid and gas harmful substances, absolutely environmental protection.
- Easy installation and maintenance, suitable for unattended or automatic running needs, etc
- Good compatibility, Solar power generation can be used with other energy, also can according to the need to make the solar system easily expanded
- Input voltage: DC 100V~310V (1-ph pumps) & DC 100V~600V (3-Ph pumps)
- Input frequency range : 0~400Hz
- Control mode : V/F control mode
- Carrier frequency setting : 1kHz~15kHz.
- Input frequency resolution : digital setting : 0.01Hz ; analogue setting : Max frequency×0.1%
- Starting torque : 0.5Hz/150%
- Overload capacity : 150% Rated current-60s ; 180% Rated current-10s
- Torque boost :0.1%~50.0%
- V/F curve: liner type ; multipoint type
- JOG control : JOG frequency range : 0.00Hz~50.00Hz ; JOG acceleration and deceleration time 0.0s~6500.0s
- PLC Multi-speed running: By built-in PLC
- Built-in PID : Easy to realize process control closed loop control system
- Automatic voltage regulation(AVR): When voltage change, it can automatically maintain constant output voltage
- Over voltage and over current loss of speed control: During the inverter running, the current automatic voltage limit, to prevent frequent trip through the pressure
- Communication methods: RS-485

Model # SVD-025K3 3-Ph, 380/400/415V AC, Water Pumping System

Magnizon Model	Power Rating (KW)	Voltages (V)	Rated Output Current (A)**	Gross Weight (kg.)	External Size (H*W*D) (mm)	Package Size (H*W*D) (mm)
SVD-025K3	18.2	3-Ph 380/400/415V +/-20% DC input 200-600V	39/45	18	475*270*220	572*367*316

** Peak current to size cable

System Layout



Specification

Standard Function	
Maximum frequency	Vector control: 0–650 Hz
	V/F control: 0–3200 Hz
Carrier frequency	0.5–16 kHz, carrier frequency is automatically adjusted based on the load features.
Frequency resolution	Digital setting: 0.01 Hz
	Analog setting: maximum frequency x 0.025%
	Sensor less flux vector control (SFVC)
	Closed-loop vector control (CLVC)
Control mode	Voltage/Frequency (V/F) control
Startup torque	G type: 0.5 Hz/150% (SFVC); 0 Hz/180% (CLVC)
	P type: 0.5 Hz/100%
Speed range	1:100 (SFVC), 1:1000 (CLVC)
Speed stability accuracy	± 0.5% (SFVC), ± 0.02% (CLVC)
Torque control accuracy	± 5% (CLVC)
Overload capacity	G type: 60s for 150% of the rated current, 3s for 180% of the rated current
	P type: 60s for 120% of the rated current, 3s for 150% of the rated current
Torque boost	Fixed boost
	Customized boost 0.1%–30.0%
V/F curve	Straight-line V/F curve
	Multi-point V/F curve
	N-power V/F curve (1.2-power, 1.4-power, 1.6-power, 1.8-power, square)
V/F separation	Two types: complete separation; half separation
	Straight-line ramp
Ramp mode	S-curve ramp
	Four groups of acceleration/deceleration time with the range of 0.0–6500.0s
DC braking	DC braking frequency: 0.00 Hz to maximum frequency
	Braking time: 0.0–36.0s
	Braking action current value: 0.0%–100.0%

Model # SVD-025K3 3-Ph, 380/400/415V AC, Water Pumping System

JOG control	JOG frequency range: 0.00–50.00 Hz
	JOG acceleration/deceleration time: 0.0–6500.0s
Onboard multiple preset speeds	Support up to 16 speeds via the simple PLC function or combination of DI terminal.
Onboard PID	Embedded programmable PID controller to support closed loop control
Auto voltage regulation (AVR)	It can keep constant output voltage automatically when the mains voltage changes.
Over voltage/current stall control	Automatic voltage and current regulation to avoid frequently tripping over voltage/current protection
Torque limit and control	Automatic torque control to avoid frequently tripping over voltage/current protection
	Torque control can be implemented in the CLVC mode.
Rated AC Input Voltage Range	Rated Voltage -15%~+15%
Rated AC Frequency	50Hz/60Hz+/-5%
Rated DC input voltage Range	220/230V Model: 180~400Vdc 380V/440V Model: 350~800Vdc
Enhanced Function	
High performance	high-performance current vector control technology.
Dynamic MPPT Function	Automatic control the output power to track the maximum power point of the solar panel
Power dip ride through	Control to maintain running upon short interval power blackout or power dip .
Rapid current limit	It helps to avoid frequent overcurrent faults of the AC drive.
Virtual I/Os	Five groups of virtual DI/Dos can realize simple logic control.
Timing control	Time range: 0.0–6500.0 minutes
Multi-motor switchover	Four motors can be switched over via four groups of motor parameters.
Multiple communication protocols	Supports communication via Modbus-RTU, PROFIBUS- DP
Motor overheat protection	The optional I/O extension card enables AI3 to receive the motor temperature sensor
	input (PT100, PT1000) so as to realize motor overheat protection.
Protection type	Line supply overvoltage and under voltage safety circuits for drive
	Line supply phase loss safety function, for three phases supply for drive
	Motor phase breaks for drive
	Overcurrent between output phases and earth (on power up only) for drive
	Overheating protection for drive
	Short-circuit between motor phases for drive
	Thermal protection for motor
	Input phase breaks for drive
Dielectric strength	2410 V DC between earth and power terminals

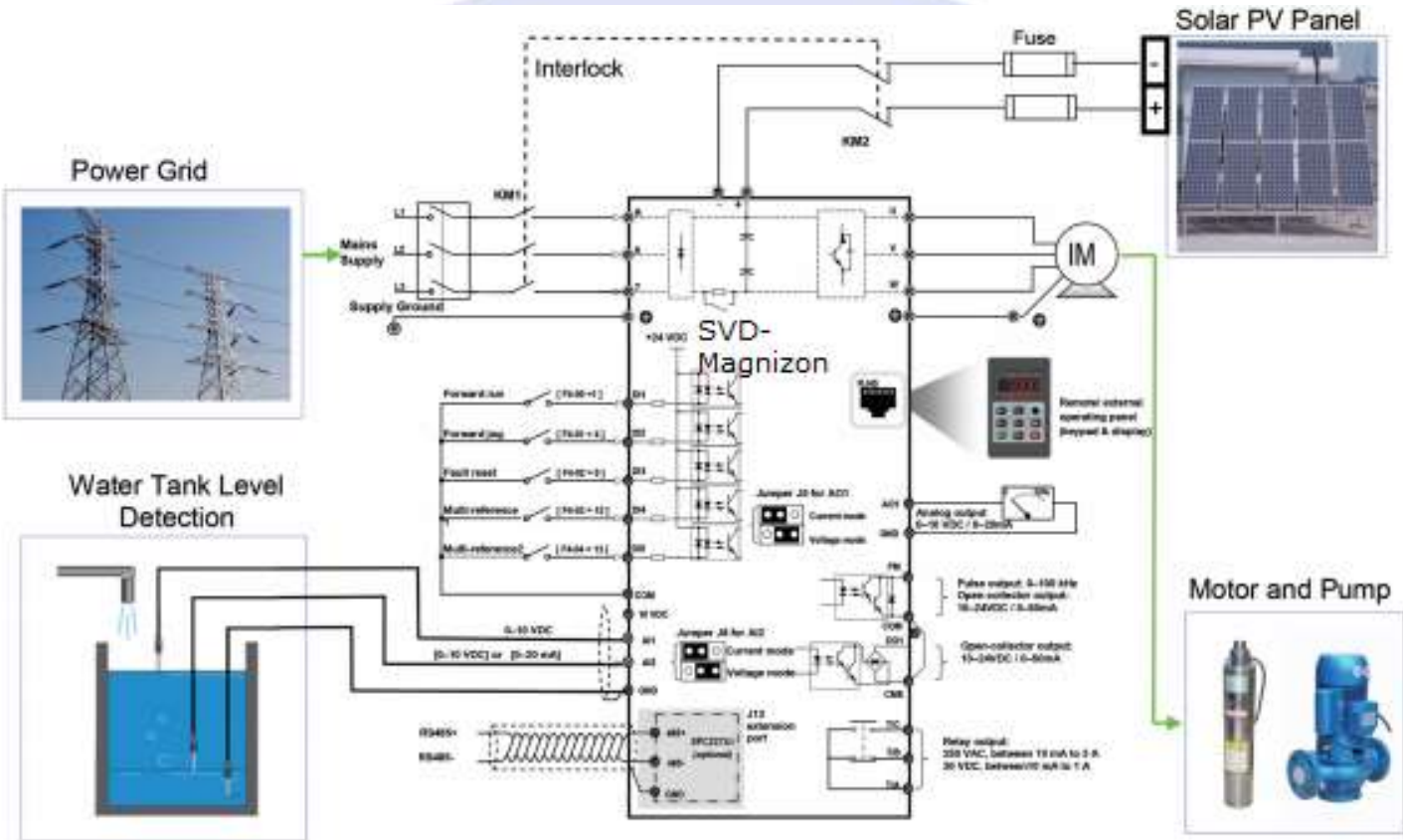
Model # SVD-025K3 3-Ph, 380/400/415V AC, Water Pumping System

	3400 V AC between control and power terminals
Insulation resistance	≥ 500 mOhm at 500 V DC for 1 minute
Local signalling	1 LED (red) signal for drive voltage
	Four 7-segment display units signal for CANopen bus status
Time constant	5 ms for reference change
Frequency resolution	0.1...100 Hz for analog input
	0.1 Hz for display unit
Multiple encoder types	Supports various encoders such as differential encoder, open-collector encoder,
	resolver, UVW encoder, and SIN/ COS encoder.
Operational Parameters	
Running command source	Operation panel
	Control terminals
	Serial communication port
Frequency source	Up to 10 frequency sources, such as digital setting, analog voltage setting, analog current setting, pulse setting and serial communication port setting. various ways to switchover between sources
Auxiliary frequency source	Up to 10 auxiliary frequency sources. Support fine tuning of auxiliary frequency and frequency synthesis.
Input Control Terminal	5 digital input (DI) terminals, one supports up to 100 kHz high-speed pulse input
	2 analog input (AI) terminals, one supports 0–10 V voltage input and the other supports 0–10 V voltage input or 4–20 mA current input
	Expanding capacity: 5 DI , 1 AI supports -10–10 V voltage input and also supports PT100\PT1000
Output terminal	1 high-speed pulse OP terminal (oc) supports 0–100 kHz square wave signal output
	1 digital output (DO) terminal 1 relay output terminal
	1 analog output (AO) terminal that supports 0–20 mA current output or 0–10 V voltage output
	Expanding capacity: 1 DO , 1 relay output , 1 AO supports 0–20 mA current or 0–10 V voltage output
Display & Operation on the Operation Panel	
LED display	5 digit LED display ,with indicators shows system status & parameters
Key locking and function selection	locking the keys and define the function range of some keys so as to prevent mis operation.
Protection mode	Motor short-circuit detection at power-on, input/output phase loss protection, overcurrent protection, Overvoltage protection, under-voltage protection, overheat protection and overload protection

Model # SVD-025K3 3-Ph, 380/400/415V AC, Water Pumping System

Optional parts	LCD operation panel, braking unit, I/O extension card 1, I/O extension card 2, user programmable card, RS485 communication card, PROFIBUS-DP communication card, differential input PG card, UVW differential input PG card, resolver PG card and OC input PG card
Environment	
Installation location	Indoor use, avoid direct sunlight, dust, corrosive gas, combustible gas, oil smoke, vapour, drip or salt.
Altitude	Up to 4000m , de-rated needed above 1000 m
Ambient temperature	-10°C to +50°C , de-rated needed above 40°C
Humidity	Less than 95%RH, without condensing
Vibration	Less than 5.9 m/s ² (0.6 g)
Storage temperature	-20°C to +60°C
IP level	IP20
Pollution degree	PD2
Power system	TN , TT
Warranty	2 years
Electromagnetic Compatibility & IEC compliance	
Electromagnetic compatibility	1.2/50 μ s - 8/20 μ s surge immunity test - test level 3 conforming to IEC 61000-4-5:2014
	Electrical fast transient/burst immunity test - test level 4 conforming to IEC 61000-4-4:2012
	Electrostatic discharge immunity test - test level 3 conforming to IEC 61000-4-2:2009
	Radiated radio-frequency electromagnetic field immunity test - test level 3 conforming to IEC 61000-4-3:2006
IEC Standards	EN61800-5-1, EN61800-3:2004+A1:2012, EN55011:2016, EN61000-3-2:2014, EN61000-4-4:2012, EN61000-4-8:2010, EN61000-4-6:2014, IEC62253:2011; EN62253:2012
Quality Standards	ISO9001:2015, ISO14001, RoHs, CE

System Schematics



Copyright © 2012 MAGNIZON POWER SYSTEMS. All rights reserved. All trademarks are the sole property of their respective owners. MAGNIZON POWER SYSTEMS has a policy of continuous improvement. Specifications are subject to change without notice. Photos may differ slightly from final products.