

Model # OG-6-15K-TM series, 3-ph 400V AC, Grid Tie string inverters with built in 2xMPPT controllers



Product Description:

OG-6K-15K-DM String Inverter Series is the ideal solution for commercial & industrial usage. Parallel capability upto 100nos allows to simply up the scalability and enhancing the overall plant capacity. With the characteristics of dual independent input sections with two independent MPP trackers, wide MPPT tracking range, True three phase transformer-less design, IP65 harshest industrial grade protection level, convectional cooling system and embedded RS485, WIFI and optional SNMP interface, it forms Magnizon Trio String Inverter an ideal solution for medium and large PV Power Station.

Key Features

- ❖ From 6KW/8KW/10KW/12KW/15KW
- ❖ Wide PV input voltage range
- ❖ Rapid MPPT tracking technology
- ❖ 25years of design life
- ❖ IP65 protection degree, suitable for outdoor installation, reducing
- ❖ Redundant control circuit design for more reliability
- ❖ Unique low voltage ride through (LVRT) function
- ❖ Advanced DSP control systems
- ❖ Supports SVG function, realization of power reactive compensation at night
- ❖ Supports variety of communication protocols
- ❖ 5years warranty extendable to 10years
- ❖ Superior PV energy harvest
- ❖ Transformers less design with higher operation efficiency
- ❖ Excellent natural thermal design
- ❖ High over load capability under most ambient conditions

Full data display and communications

- ❖ Customization LCD display all the inverter operation message
- ❖ Bright LED indicators imply system status at a glance
- ❖ PC software for remote monitoring and system troubleshooting , iOS & Android real time power monitoring software (life time free of cost)
- ❖ High speed RS-232, RS-485 communications port.

Cost advantages

- ❖ Transformer less design cutting down the cost
- ❖ Light weight and small dimension, reducing shipping cost
- ❖ IP65 protection degree, suitable for outdoor installation, reducing
- ❖ Construction cost
- ❖ Low maintenance expense

Applicable Standards:

- ❖ ISO9001: 2015, ISO14001:2015
- ❖ Compliance to RoHs & CE
- ❖ IEC62109-1, IEC62109-2, NBT/T32004, EN61000-6-2/3/4, EN61000-3-11/12
- ❖ VDE-AR-N 4105, IEC61727, G59, G83, RD1663AS4777

Specifications:

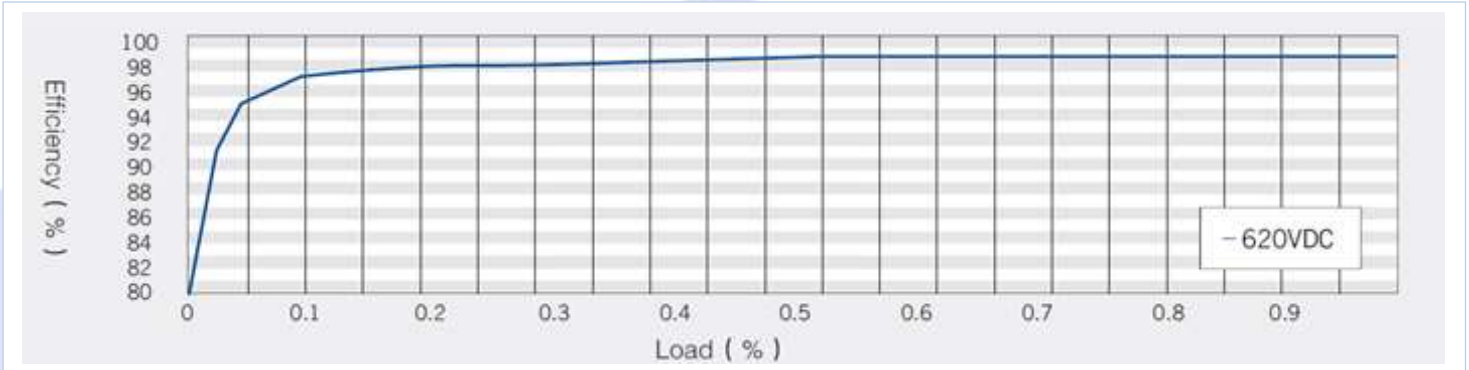
MODEL	OG-6K-DM	OG-8K-DM	OG-10K-DM	OG-12K-DM	OG-15K-DM
INPUT (DC)					
Max. DC input power	7200W	9600W	12000W	14400W	18000W
Max.DC input voltage	1000Vdc				
Max. Input Current	22A (2x11A)	22A (2x11A)	33A (3x11A)	33A (3x11A)	33A (3x11A)
MPPT tracking voltage range	160~950Vdc				
MPPT operating voltage range (full load)	300-850V	380-850V	470-850V	380-850V	470-850V
Min. / start DC voltage	200 / 250Vdc				
Number of MPPT tracking	2	2	2	2	2
Maximum number of PV strings	2(1/1)	2(1/1)	3(2/1)	3(2/1)	3(2/1)
OUTPUT (AC)					
Rated AC active power	6KW	8KW	10KW	12KW	15KW
Max. AC active Power (Pf=1)	6.6KW	8.8KW	11KW	13.2KW	16.5KW
Max. AC apparent power	6.6KVA	8.8KVA	11KVA	13.2KVA	16.5KVA
Rated output voltage	380/400/415Vac				
AC output topology	3Ph+N+PE				
Output voltage range	(1±15%) x Normal AC Voltage (adjustable ±5%,±10%,±15%,±20%)				
Gird frequency range	50/60Hz(±4.5Hz), (adjustable)				
Max. AC output current	10A	13A	16A	19A	23A
Power factor (cosΦ)	(0.8 leading – 0.8 lagging) (adjustable)				
Total harmonic current distortion (THDi)	<2%				
DC Current Injection	<0.5In				
Protection devices					
Input DC switch	YES				
Anti-islanding protection	YES				
AC overcurrent protection	YES				
AC short circuit protection	YES				
DC reverse connection	YES				

Model # OG-6-15K-TM series, 3-ph 400V AC, Grid Tie string inverters with built in 2xMPPT controllers

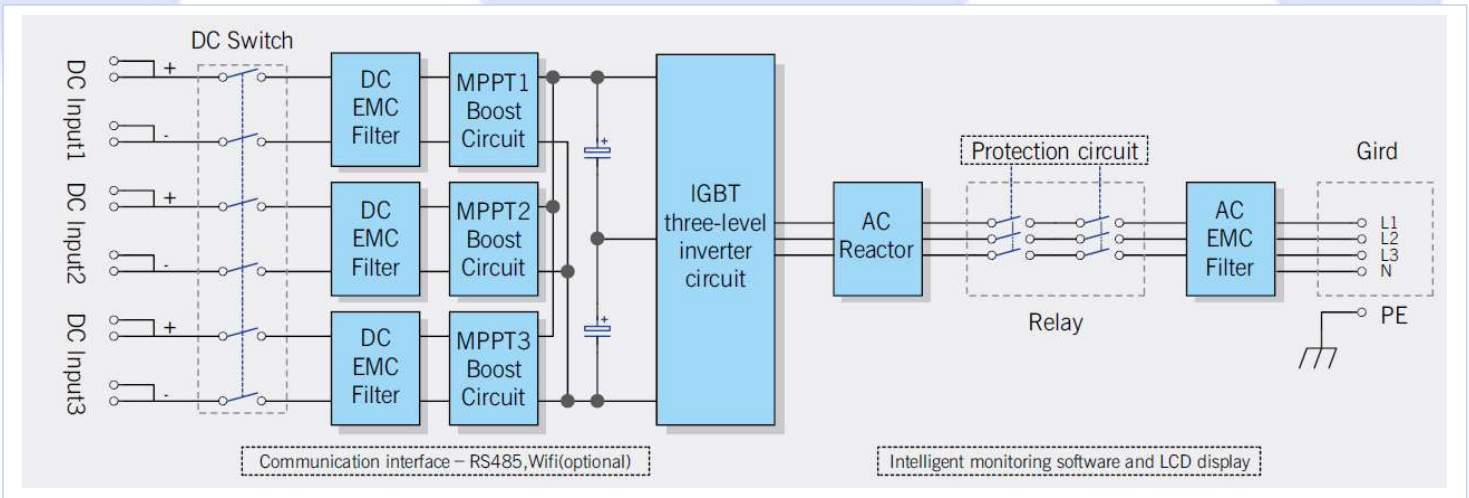
Anti-surge protection	YES	
Insulation resistance detection	YES	
Leakage current protection	YES	
Intelligent reactive power regulator	YES	
PID	YES	
SYSTEM FEATURES		
Topology	Transformer less	
Max. efficiency	>98.8%	
Euro efficiency	>98.4%	
MPPT efficiency	>99%	
Standby(night time) losses	<10W	
Front Panel	LED/LCD Display	
Cooling	Natural Cooling	
Communication interface	RS485, USB, Ethernet, WIFI(optional), GPRS(optional)	
Warranty	5years(optional 10/15/20years)	
ENVIRONMENTAL		
Operating temperature	-25.0 to 60.0 °C	
Humidity range	0~99% (non-condensing)	
Altitude	4000m	
Noise level	<30dB	
Protection rating	IP65	
PHYSICAL		
Dimension W×L×D (mm)	385mm*490mm*190mm	
Net Weight (kg)	19.8Kgs	21.8Kgs
STANDARDS		
Grid Code	NB/T32004, VDE-AR-N 4105, IEC 61727	
Safety/TUV	IEC62109-1, IEC62109-2	
EMC	EN 61000-6-2 , EN 61000-6-3, EN 61000-6-4, EN 61000-3-11, EN 61000-3-12	
Quality Standards	ISO9001:2015, ISO14001, RoHs	

Model # OG-6-15K-TM series, 3-ph 400V AC, Grid Tie string inverters with built in 2xMPPT controllers

Efficiency (%):



Control Scheme:



Bottom view:



Copyright © 2012 MAGNIZON POWER SYSTEMS. All rights reserved. All trademarks are the sole property of their respective owners. MAGNIZON POWER SYSTEMS has a policy of continuous improvement. Specifications are subject to change without notice. Photos may differ slightly from final products.