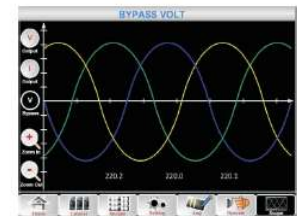
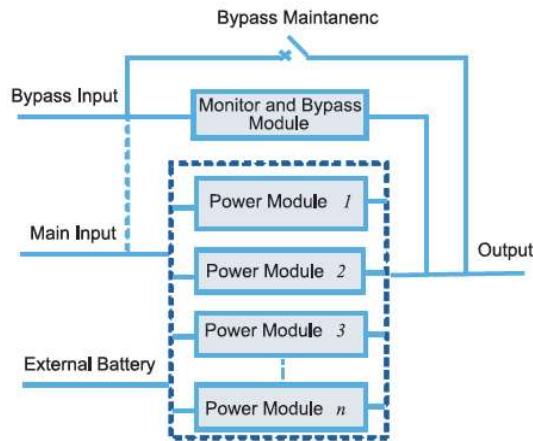


Model # MURM180/30

30-180KVA, 380/400/415V, 50/60Hz True Hot Swappable Modular On-line Double Conversion UPS



Product Description

The MURM30-180/30K Modular UPS provides the most compact footprint of less than 2 m² with maximum capacity of 180KVA with competitive price and high performance. It has been leading the domestic market in proven high reliability and most advanced technology for years. With its upgrade, the MURM30-0/30K is set to offer better protection for large data centers, as well as for sensitive electrical loads.

Applications

- Critical applications where ever higher reliability is needed
- Medical & lifesaving equipment's
- Data centers & Larger computer rooms
- Industrial & Petrochemical application
- Banking & Telecommunication
- Power Generation & distribution stations

Model # MURM180/30

Key Features

- Capacities from 30kVA/27KW to 180kVA/162KW in 30kVA modular steps, N+1 Redundancy (up to 180kVA)
- **Full DSP** control of high stability, reliability and safety
- Friendly human machine interface with **colorful touch screen** of 10.4 inches
- Independent **LCD display** for each power module with self-starting function
- Integrated IGBT module with improved performance and reduced size
- Automatically record the critical wave information when fault happen, easy for trouble shooting
- Monitor runtime of critical components, such as fans and capacitors, settable alarm for service period
- Self-Aging mode for full load test with less than 10% of the total power capacity needed
- **Maximum availability** - 'Six nines' (99.9999%) availability by uniquely combining the benefits of parallel redundancy and 'hot-swap' modularity to ensure 24/7 power availability.
- **High energy efficiency total flexibility & low total cost of ownership** – The combination of high energy efficiency up to 98% and scalable flexibility using 'hot-swap' modules ensures that MURM30-180/30K offers a low total cost of ownership.
- UPS modules can be simply added, in cost effective incremental steps as the critical load power requirement grows. This ensures the UPS is 'rightsized' at initial installation, reducing the system's initial cost, optimizing its operating efficiency and reducing ongoing operating costs.
- Smart charging management system, intelligently control the whole process of the charging and discharging effectively improve the life time of the battery
- Independent charger for batteries, intelligent battery management system
- Battery cold start, UPS can be powered on from the battery without utility
- Totally front access, top and bottom cable connection
- Quick and simple power upgrade or repair by 'Hot-Swapping' modules while the UPS is online maximizes availability and simplifies system upgrades
- High operating efficiency across a wide load range (90% to 95% efficiency from 25% partial load to 100% full load) reduces system running costs and site air conditioning costs, reducing CO2 emissions.
- High power density with footprints of less than 2m² up to 900KVA in parallel, 30KVA power module with height of only 3U
- 0.9 Output power factor and 0.99 ~ unity power factor at Input side
- Low input harmonic distortion (THDi<3%)

Model # MURM180/30

Product Specifications

MODEL	MURM180/30
Capacity (KVA)	180kVA
Capacity (KW)	162kW
Power module	PM30X(30kVA/27kW)
INPUT	
Phase	3 Phase + Neutral + Ground,400V/415V(line to line)
Voltage range	304-478Vac (line-line),full load;
	228V-304Vac (Line-Line),load decrease linearly according to the min phase voltage
Frequency range	40Hz-70Hz
Power Factor	>0.99
THDi	THDi<3% @ 100% linear load
OUTPUT	
Voltage	380V/400V/415V
Voltage Regulation	1.50%
Power factor	0.9
THDu	THD<1%(linear load),THD<5.5%(None-linear load)
Crest Factor	3:1
Overload Capability	110% for 1 hour; 125% for 10 minutes ;150% for1 minute; >150% for 200ms
BATTERY	
Voltage	±240VDC
Charge Power Precision	±1%
Charge Power	20%*System Power
SYSTEM	
System Efficiency	Normal mode:95% ;ECO mode:99% ;Battery mode:95%
Display	10.4" color touch screen LCD + LED + Keyboard
IP Class	IP20
Operation/Storage Temperature	0-40°C/-40-70°C
Relative Humidity	0-95%(non-condensing)
Noise (1 meter away)	65dB @ 100% load,
	62dB @ 45% load
Physical Weight (Cabinet)	315kg
Physical Weight (Power Module)	PM30X:34kg

Model # MURM180/30

Cabinet Dimension (W*D*H) mm	600*1100*1600
Module Dimension (W*D*H)	MUPM30X:460*790*134(mm)
COMMUNICATIONS	
Communications Interface	RS232 Serial; Slot for SNMP/Web interface
Network Management Cards	SNMP-UP2
Software compatibility	Windows family all versions, Linux, Sun Network OS, IBM Aix, Compaq Tru64 SGI IRIX, FreeBSD, HP-UX and MAC
UPS monitoring Software	Supplied along with UPS. Optional SNMP card with web based available on request
Communications Cable	RS232 serial
CERTIFICATIONS & WARRANTY	
UPS Certifications	CE, EN/IEC 62040-1:2008, EN/IEC 62040-2:2006, EN/IEC 61000-3-3:2013, EN/IEC 61000-3-2:2014
UPS Quality standards	ISO9001:2015, ISO14001:2015, RoHs
Product Warranty Period (Worldwide)	2-years limited Warranty