

ON-GRID SOLAR INVERTERS



www.magnizon.com

Free power monitoring apps









INTRODUCTION

MAGNIZON is a ISO9001:2015 & ISO14001:2015 certified global manufacturing firm with strong focus on Product engineering, research and development, production, sales and services in the field of green energy power product lines. Team with top R&D talent with 20+ years of home and abroad, and assembled senior marketing, product and sales teams who live by the corporate spirit. From our base in Dubai-UAE we serve markets across Middle East, Africa and central Asia. Magnizon range of products being supplied, deployed and working successfully across 32 countries with 100% customer satisfaction.

Magnizon PV Inverter owns multiple patents in the structural design, current regulation, driver circuitry, efficiency improvement and process innovation, etc. We are one of few top industry leader for conversion efficiency, input voltage range, MPPT adaptability and other key performances. Our original ECO mode enables intelligent switching among high-efficiency, low power consumption and low light modes, which fast tracks sunlight changes and significantly improves efficiency and overall generating capacity.

An integrated unique aluminum die-casting process which extends inverters life to 25 years. All key components of inverters are supplied by internationally reputed brands who are known for reliability and trust. Product quality is the lifeline of Magnizon, hence all our OG series units complies with various IEC standards certified by TUV Rheinland. All our inverters easy to install and transport, smallest in size and the lightest in weight among the similar capacities in the industry with Great value for money.

info@magnizon.com www.magnizon.com

-  magnizon
-  magnizon1
-  +971 56 63 58098
-  @magnizon1
-  magnizon



MAGNIZON PRODUCT HIGHLIGHTS



OG-2K to 30KW upto 5MW

- Max efficiency 98.0%, European efficiency 97.2%
- Intelligent MPPT technology with self-studying capability
- Wide input voltage range (70V-1000V)
- APP designed for Bluetooth connectivity on smartphone
- Die-cast aluminum enclosure



OG-50K to 90K upto 10MW

- Max efficiency 99%, European efficiency 98.5%.
- Smart HE (High Efficiency) technology
- 120% over-configuration capacity, 110% overload capacity
- Providing "Zero Voltage Ride Through" technology
- PID module inside
- More than 25 years of life span
- Transformer-less design and compact in size
- Good cooling system and safety design



OG-MC & MX series upto 100MW

- System with strong compatibility, easy to extend
- Good cooling system and safety design
- MPPT efficiency > 99.9%
- Maximum efficiency > 98.7%
- Euro. efficiency > 98.5%
- Standby(night time) losses<10W
- Redundancy control circuits designed
- Reactive power adjustable
- Unique Zero Voltage Ride Through (ZVRT) function
- Anti-islanding and output abnormal voltage protection
- Advanced DSP Control makes data more accurate
- Active power adjustable continuous full range (0~100%)
- Support a variety of communication interfaces



SMART TOOLS

- Centered on Cloud server
- Intelligent Cloud Monitoring System
- Best suited for residential PV power station, business and industrial rooftop power station, farm and fish farm solar sharing PV power station and large ground-mounted power station system
- Allowing customers to monitor the operation of PV power station system anytime and anywhere
- RS232, RS485, GPRS, MODBUS, WIFI com-protocols with iOS/Android/Web based free app



HIGH EFFICIENCY



HIGHLY RELIABLE



SMART & INTELLIGENT



EASY MAINTENANCE

OG SERIES

1-ph 220/230/240V AC, 50/60Hz, Grid Tie string inverters from 2KW to 5KW.



HIGH PERFORMANCE GRID-TIE INVERTERS

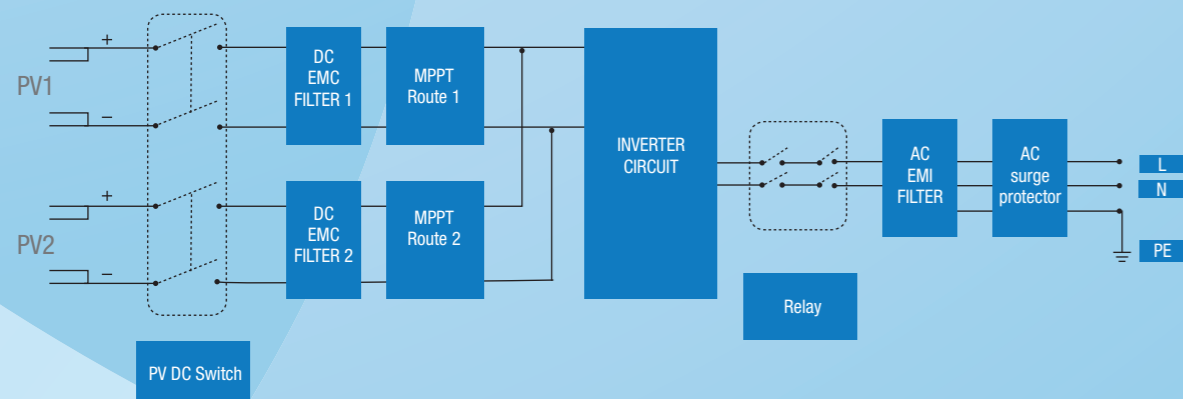
- From 2KW to 5KW
- Wide PV input voltage range
- Rapid MPPT tracking technology
- Superior PV energy harvest
- Transformers less design with higher operation efficiency
- Excellent natural thermal design
- High over load capability under most ambient conditions up to 60deg C
- Product design life of 25 years
- 5/10/15/20years of warranty

FULL DATA DISPLAY AND COMMUNICATIONS

- Customized LCD display
- System status at a glance with Bright LED indicator
- Web/iOS/Android based power monitoring software
- Big-Data analysis based power plant monitoring system
- High speed RS-485 & Wifi communications port
- Optional 4G based GPRS module
- Remote monitoring and firmware upgrades

COMPLIANCE STANDARDS:

- IEC61727, IEC62116,
- IEC 62109-1, IEC62109-2, IEC 61000-3-2, IEC 61000-6-2, IEC-61000-6-3
- VDE 0126-1-1, VDE-AR-N4105, EN50178,VDE0126-1-1, ENEL-Guide, G59, G83, RD1663AS4777, AS/NZS 3100 & CGC



SPECIFICATIONS

MODEL	OG2000-SM	OG3000-SM	OG4000-DM	OG5000-DM
INPUT (DC)				
Max. DC input power	2200W	3300W	4400W	5500W
Max.DC input voltage	600Vdc			
Max. Input Current	12.5A	12.5A	20.8A (2x10.4A)	20.8A (2x10.4A)
MPPT tracking voltage range	70~580Vdc			
MPPT operating voltage range (full load)	200-520V	240-520V	200-520V	240-520V
Number of MPPT tracking/PV strings	1/1	1/1	2/2	2/2
OUTPUT (AC)				
Rated AC active power	2000W	3000W	4000W	5000W
Max. AC active Power (Pf=1)	2100W	3150W	4200W	5250W
Rated output voltage	1-Ph, 220/230/240Vac			
Output voltage range	(1±15%) x Normal AC Voltage (adjustable ±5%,±10%,±15%,±20%)			
Gird frequency range	50/60Hz(±4.5Hz), (adjustable)			
Max. AC output current	9.5A	14.3A	19A	23.6A
PROTECTION DEVICES				
Input DC switch, Anti-islanding protection, AC overcurrent & short circuit, DC reverse connection, Anti-surge protection, Insulation resistance detection, Leakage current protection, Intelligent reactive power regulator & PID				
SYSTEM FEATURES				
Topology	Transformer less			
Max/Euro/MPPT efficiency	>98.8% / >98.4% / >99%			
Front Panel	LED/LCD Display			
Cooling	Natural Cooling			
Communication interface	RS485, WIFI, GPRS(optional)			
Warranty	5years(optional 10/15/20years)			
ENVIRONMENTAL				
Operating temperature	-25.0 to 60.0 °C & 0~99% (RH)			
Protection rating	IP65			
PHYSICAL				
Dimension W×L×D (mm)	285mm×336mm×125mm		335mm×426×125mm	
Net Weight (kg)	8.8kgs		12.85Kgs	

OG SERIES

3-Ph 380/400/415V AC, 50/60Hz, Grid Tie string inverters from 6KW to 15KW



HIGH PERFORMANCE STRING INVERTERS WITH BEAUTIFUL MOLDED CASE ENCLOSURE

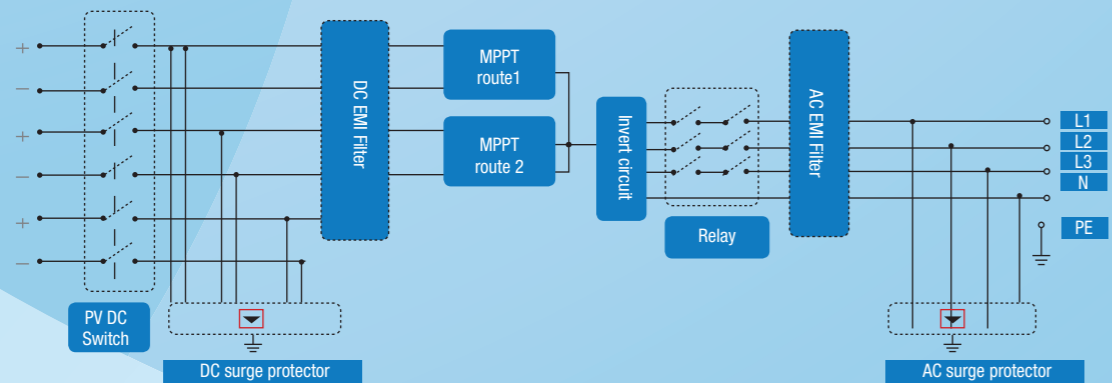
- From 6KW to 15KW
- Wide PV input voltage range
- Rapid Double MPPT tracking technology
- Superior PV energy harvest
- Transformers less design with higher operation efficiency
- Excellent natural thermal design
- High over load capability under most ambient conditions up to 60deg C
- Product design life of 25 years
- 5/10/15/20years of warranty

FULL DATA DISPLAY AND COMMUNICATIONS

- Customized LCD display
- System status at a glance with Bright LED indicator
- Web/iOS/Android based power monitoring software
- Big-Data analysis based power plant monitoring system
- High speed RS-485 & Wifi communications port
- Optional 4G based GPRS module
- Remote monitoring and firmware upgrades

COMPLIANCE STANDARDS:

- IEC61727, IEC62116,
- IEC 62109-1, IEC62109-2, IEC 61000-3-2, IEC 61000-6-2, IEC-61000-6-3
- VDE 0126-1-1, VDE-AR-N4105, EN50178, VDE0126-1-1, ENEL-Guide, G59, G83, RD1663AS4777, AS/NZS 3100 & CGC



SPECIFICATIONS

MODEL	OG-6K-DM	OG-8K-DM	OG-10K-DM	OG-12K-DM	OG-15K-DM
INPUT (DC)					
Max. DC input power	7200W	9600W	12000W	14400W	18000W
Max.DC input voltage	1000Vdc				
Max. Input Current	22A (2x11A)	22A (2x11A)	33A (3x11A)	33A (3x11A)	33A (3x11A)
MPPT tracking voltage range	160~950Vdc				
MPPT operating voltage range (full load)	300-850V	380-850V	470-850V	380-850V	470-850V
Number of MPPT tracking	2	2	2	2	2
Maximum number of PV strings	2(1/1)	2(1/1)	3(2/1)	3(2/1)	3(2/1)

OUTPUT (AC)					
Rated AC active power	6KW	8KW	10KW	12KW	15KW
Max. AC active Power (Pf=1)	6.6KW	8.8KW	11KW	13.2KW	16.5KW
Rated output voltage	3Ph+N+PE , 380/400/415Vac, 50/60Hz(±4.5Hz), (adjustable)				
Output voltage range	(1±15%) x Normal AC Voltage (adjustable ±5%,±10%,±15%,±20%)				
Max. AC output current	10A	13A	16A	19A	23A

PROTECTION DEVICES	
Input DC switch, Anti-islanding protection, AC overcurrent & short circuit, DC reverse connection, Anti-surge protection, Insulation resistance detection, Leakage current protection, Intelligent reactive power regulator & PID	

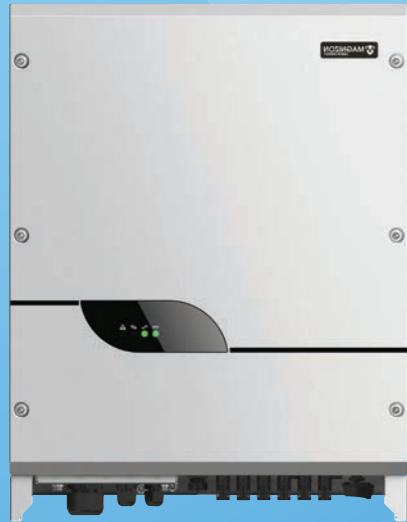
SYSTEM FEATURES	
Topology	Transformer less
Max/Euro/MPPT efficiency	>98.8% / >98.4% / >99%
Front Panel	LED/LCD Display
Communication interface	RS485, USB, Ethernet, WIFI(optional), GPRS(optional)
Warranty	5years(optional 10/15/20years)

ENVIRONMENTAL	
Operating temperature	-25.0 to 60.0 °C & 0~99% (RH non-condensing)
Protection rating	IP65

PHYSICAL	
Dimension W×L×D (mm)	385mm×490mm×190mm
Net Weight (kg)	19.8Kgs 21.8Kgs

OG SERIES

3-Ph 380/400/415V, 50/60Hz AC , Grid Tie string inverters from 20KW to 30KW



HIGH PERFORMANCE GRID TIE INVERTERS

- From 20KW to 30KW
- Wide PV input voltage range
- Rapid triple MPPT tracking technology
- Superior PV energy harvest
- Transformers less design with higher operation efficiency
- Excellent natural thermal design
- High over load capability under most ambient conditions up to 60deg C
- Product design life of 25 years
- 5/10/15/20years of warranty

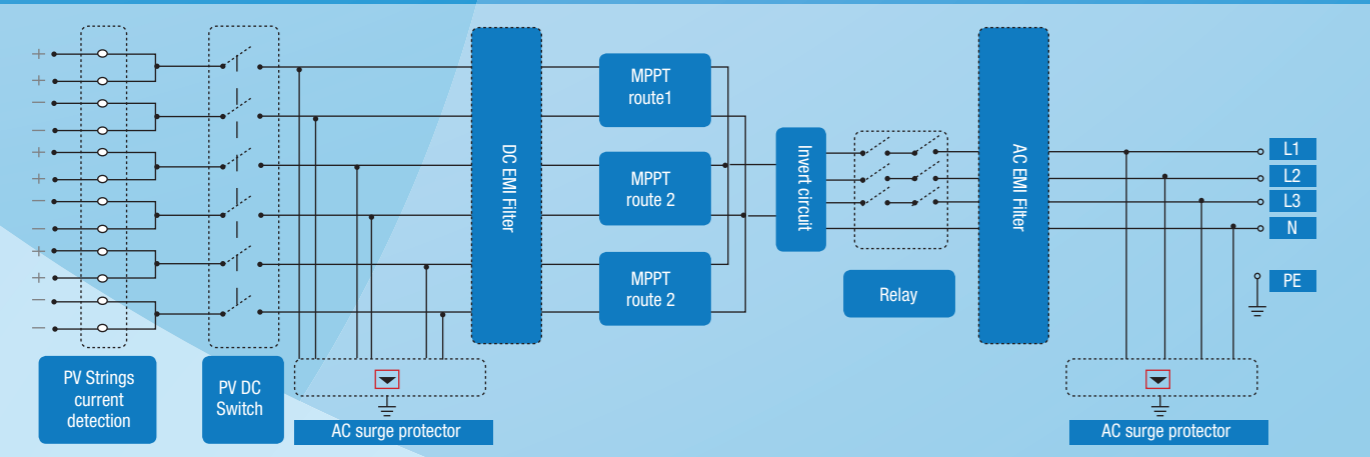


FULL DATA DISPLAY AND COMMUNICATIONS

- Customized LCD display
- System status at a glance with Bright LED indicator
- Web/iOS/Android based power monitoring software
- Big-Data analysis based power plant monitoring system
- High speed RS-485 & Wifi communications port
- Optional 4G based GPRS module
- Remote monitoring and firmware upgrades

COMPLIANCE STANDARDS:

- IEC61727, IEC62116,
- IEC 62109-1, IEC62109-2, IEC 61000-3-2, IEC 61000-6-2, IEC-61000-6-3
- VDE 0126-1-1, VDE-AR-N4105, EN50178, VDE0126-1-1, ENEL-Guide, G59, G83, RD1663AS4777, AS/NZS 3100 & CGC



SPECIFICATIONS

MODEL	OG-20K-TM	OG-30K-TM
INPUT (DC)		
Max. DC input power	24000W	36000W
Max.DC input voltage	1000Vdc	
Max. Input Current	46A (2x23A)	69A (3x23A)
MPPT tracking voltage range	200~950Vdc	
Number of MPPT tracking	3	3
Maximum number of PV strings	5(2/2/1)	6(2/2/2)
OUTPUT (AC)		
Rated AC active power	20KW	30KW
Max. AC active Power (Pf=1)	22KW	32KW
Rated output voltage	3Ph+N+PE , 380/400/415Vac	
Output voltage range	(1±15%) x Normal AC Voltage (adjustable ±5%,±10%,±15%,±20%)	
Gird frequency range	50/60Hz(±4.5Hz), (adjustable)	
Max. AC output current	30A	48A
PROTECTION DEVICES		
Input DC switch, Anti-islanding protection, AC overcurrent & short circuit, DC reverse connection, Anti-surge protection, Insulation resistance detection, Leakage current protection, Intelligent reactive power regulator & PID		
SYSTEM FEATURES		
Topology	Transformer less	
Max/Euro/MPPT efficiency	>98.8% / >98.4% / >99%	
Front Panel	LED/LCD Display	
Cooling	Natural Cooling	
Communication interface	RS485, WIFI, GPRS(optional)	
Warranty	5years(optional 10/15/20years)	
ENVIRONMENTAL		
Operating temperature	-25.0 to 60.0 °C & 0~99% (RH non-condensing)	
Protection rating	IP65	
PHYSICAL		
Dimension W×L×D (mm)	550mm×715mm×284mm	
Net Weight (kg)	53Kgs	

OG SERIES

3-Ph 380/400/415V, 50/60Hz AC , Grid Tie string inverters from 50KW to 90KW



HIGH PERFORMANCE GRID TIE INVERTERS

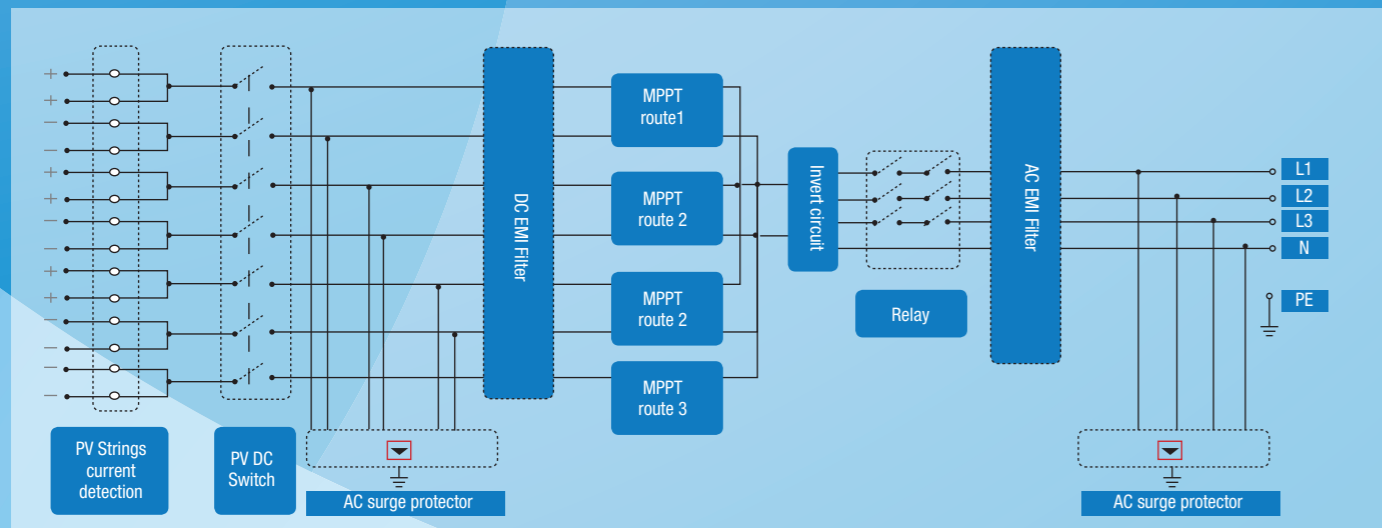
- Capacity 50KW/60KW/80KW/90KW
- Wide PV input voltage range
- Rapid Four MPPT tracking technology
- Superior PV energy harvest
- Transformers less design with higher operation efficiency
- Excellent natural thermal design
- High over load capability under most ambient conditions up to 60deg C
- Product design life of 25 years
- 5/10/15/20years of warranty

FULL DATA DISPLAY AND COMMUNICATIONS

- Customized LCD display
- System status at a glance with Bright LED indicator
- Web/iOS/Android based power monitoring software
- Big-Data analysis based power plant monitoring system
- High speed RS-485 & Wifi communications port
- Optional 4G based GPRS module
- Remote monitoring and firmware upgrades

COMPLIANCE STANDARDS:

- IEC61727, IEC62116,
- IEC 62109-1, IEC62109-2, IEC 61000-3-2, IEC 61000-6-2, IEC-61000-6-3
- VDE 0126-1-1, VDE-AR-N4105, EN50178, VDE0126-1-1, ENEL-Guide, G59, G83, RD1663AS4777, AS/NZS 3100 & CGC



SPECIFICATIONS

MODEL	OG-50K-FM	OG-60K-FM	OG-80K-FM	OG-90K-FM
INPUT (DC)				
Max. DC input power	60000W	72000W	96000W	108000W
Max.DC input voltage	1100Vdc			
Max. Input Current	116A (25/25/33/33)	132A (33/33/33/33)	146A (40/40/33/33)	160A (40/40/33/33)
MPPT tracking voltage range	200~950Vdc			
Number of MPPT tracking	4	4	4	4
Maximum number of PV strings	12(3/3/3/3)	12(3/3/3/3)	14 (4/4/3/3)	15 (4/4/3/3)

OUTPUT (AC)				
Rated AC active power	50KW	60KW	80KW	90KW
Max. AC active Power (Pf=1)	55KW	66KW	88KW	99KW
Rated output voltage	3Ph+N+PE , 380/400/415Vac			
Output voltage range	(1±15%) x Normal AC Voltage (adjustable ±5%,±10%,±15%,±20%)			
Gird frequency range	50/60Hz(±4.5Hz), (adjustable)			
Max. AC output current	83A	92A	134A	150A

PROTECTION DEVICES	
Input DC switch, Anti-islanding protection, AC overcurrent & short circuit, DC reverse connection, Anti-surge protection, Insulation resistance detection, Leakage current protection, Intelligent reactive power regulator & PID	

SYSTEM FEATURES	
Topology	Transformer less
Max/Euro/MPPT efficiency	>98.8% / >98.4% / >99%
Front Panel	LED/LCD Display
Cooling	Natural Cooling
Communication interface	RS485, WIFI, GPRS(optional)
Warranty	5years(optional 10/15/20years)

ENVIRONMENTAL	
Operating temperature	-25.0 to 60.0 °C & 0~99% (RH-non-condensing)
Protection rating	IP65

PHYSICAL				
Dimension W×L×D (mm)	550mm×715mm×284mm	855mm×555mm×275mm		
Net Weight (kg)	53Kgs	55Kgs	67Kgs	71kgs

OG-MC SERIES

3-ph 380/400/415V 50/60Hz AC, On Grid PV inverter systems from 100KW to 750KW



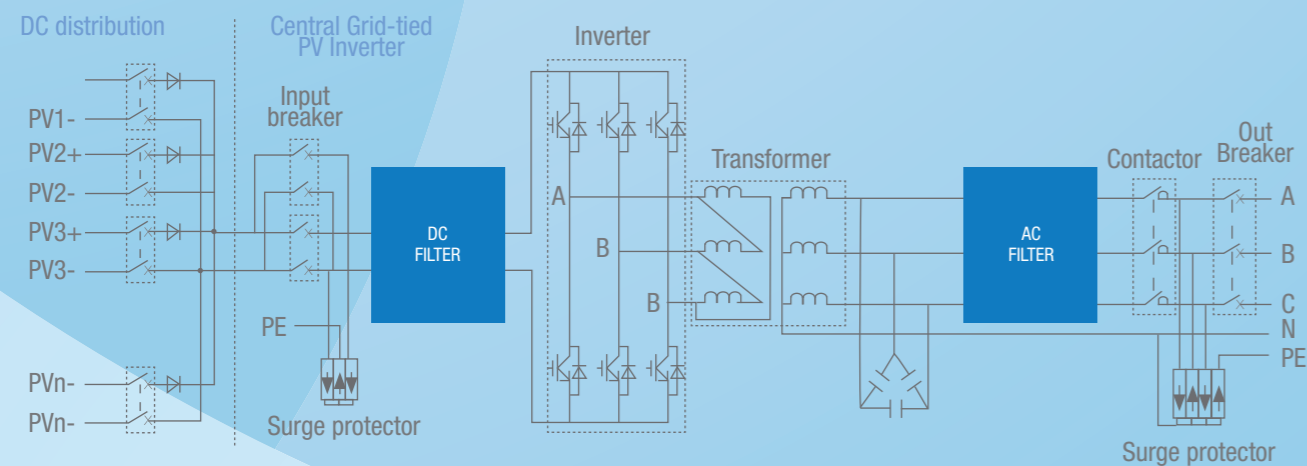
KEY FEATURES:

- More than 25 years of life span
- Transformer-less design and compact in size
- System with strong compatibility, easy to extend
- Good cooling system and safety design
- MPPT efficiency > 99.9%
- Maximum efficiency > 98.7%
- Euro. efficiency > 98.5%
- Standby(night time) losses<10W
- Redundancy control circuits designed-in and over-size metalized film capacitors are used to guarantee its safe operation and system reliability
- Reactive power adjustable
- Unique Zero Voltage Ride Through (ZVRT) function, anti-islanding and output abnormal voltage protection secures its safe
- Advanced DSP Control makes data more accurate
- Active power adjustable continuous full range (0~100%)
- Support a variety of communication interfaces
- Perfect protection functions

COMPLIANCE STANDARDS:

- IEC61727, IEC62116,
- IEC 62109-1, IEC62109-2, IEC 61000-3-2, IEC 61000-6-2, IEC-61000-6-3
- VDE 0126-1-1, VDE-AR-N4105, EN50178,VDE0126-1-1, ENEL-Guide, G59, G83, RD1663AS4777, AS/NZS 3100 & CGC

OG-MC SERIES AND OG-MX SERIES



SPECIFICATIONS

MODEL	OG100K-MC	OG250K-MC	OG500K-MC	OG750K-MC
INPUT				
Max. DC input power	110KW	275KW	550KW	825KW
Max. DC input voltage	1000Vdc			
MPPT tracking voltage range	450~850Vdc			
DC Input terminals	4	4	8	10
Max. input current	240A	600A	1200A	1500A
OUTPUT				
Rated output power	100KW	250KW	500KW	750KW
Rated output voltage	3Ph+N+PE , 400Vac			
Output voltage range	(1±15%) x Normal AC Voltage (adjustable ±5%,±10%,±15%,±20%)			
Gird frequency range	50/60Hz(±4.5Hz), (adjustable)			
Rated AC output current	144A	361A	722A	1237
Max. AC output current	158A	397A	794A	1360
SYSTEM FEATURES				
Max. efficiency	>97.7%	>97.9%	>98.1%	>98.1%
Euro efficiency	>97.4%	>97.6%	>97.9%	>97.9%
MPPT efficiency	>99%			
Standby(night time) losses	<10W			
Cooling	Forced air cooling			
Communication interface	RS485, external Ethernet (optional)			
ENVIRONMENTAL				
Operating temperature	-40.0 to 55.0 °C & 0~95% (RH: non-condensing)			
Protection rating	IP20/ IP42(optional)			
PHYSICAL				
Dimension W×H×D (mm)	835×935×1850	1200×935×2200	1600×935×2200	1600×935×2200
Net Weight (kg)	900	1470	1550	1600

OG-MX SERIES

3-ph 380/400/415Vm 50/60Hz AC, On Grid PV inverter systems from 500KW to 1.26MW



INTENSIVE TURNKEY SOLUTION

- 7ft shipping container for 1MW, only 5m²
- Integrate two high power density inverters
- Integrate lighting, cooling, security, fire-fighting
- Integrate DC power distribution in inverters
- Easy transportation and deploy

EXCELLENT DESIGN

- Special sand, dust, water proof design, IP54
- Strong ventilation ensure best cooling
- Inverters front- easy maintenance design
- Washable filter, low wind resistance outlet
- Safety with access door and emergency exit

STRONG ROBUST

- Integrate 50mm rock-wool heat-insulating layer
- Standard shipping COR-TENA steel container
- Good mechanical strength and anti-corrosion
- External with high-end 3 layer protective coating
- 25 years lifetime design

OTHER FEATURES

- System with strong compatibility, easy to extend
- Good cooling system and safety design
- Redundancy control circuits designed-in and over-size metalized film capacitors are used to guarantee its safe operation and system reliability
- Reactive power adjustable
- Unique Zero Voltage Ride Through (ZVRT) function, anti-islanding and output abnormal voltage protection secures its safe
- Advanced DSP Control makes data more accurate
- Active power adjustable continuous full range (0~100%)
- Support a variety of communication interfaces
- Perfect protection functions

COMPLIANCE STANDARDS:

- IEC61727, IEC62116,
- IEC 62109-1, IEC62109-2, IEC 61000-3-2, IEC 61000-6-2, IEC-61000-6-3
- VDE 0126-1-1, VDE-AR-N4105, EN50178, VDE0126-1-1, ENEL-Guide, G59, G83, RD1663AS4777, AS/NZS 3100 & CGC

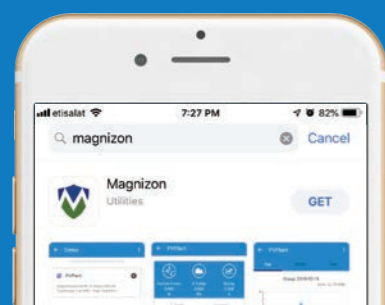
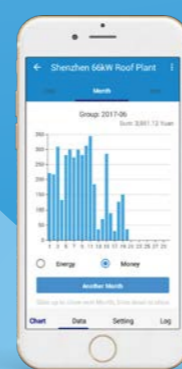
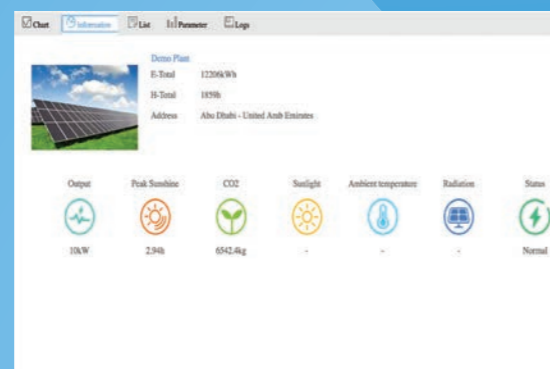
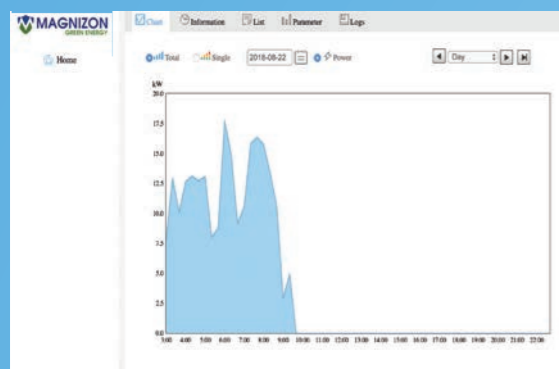
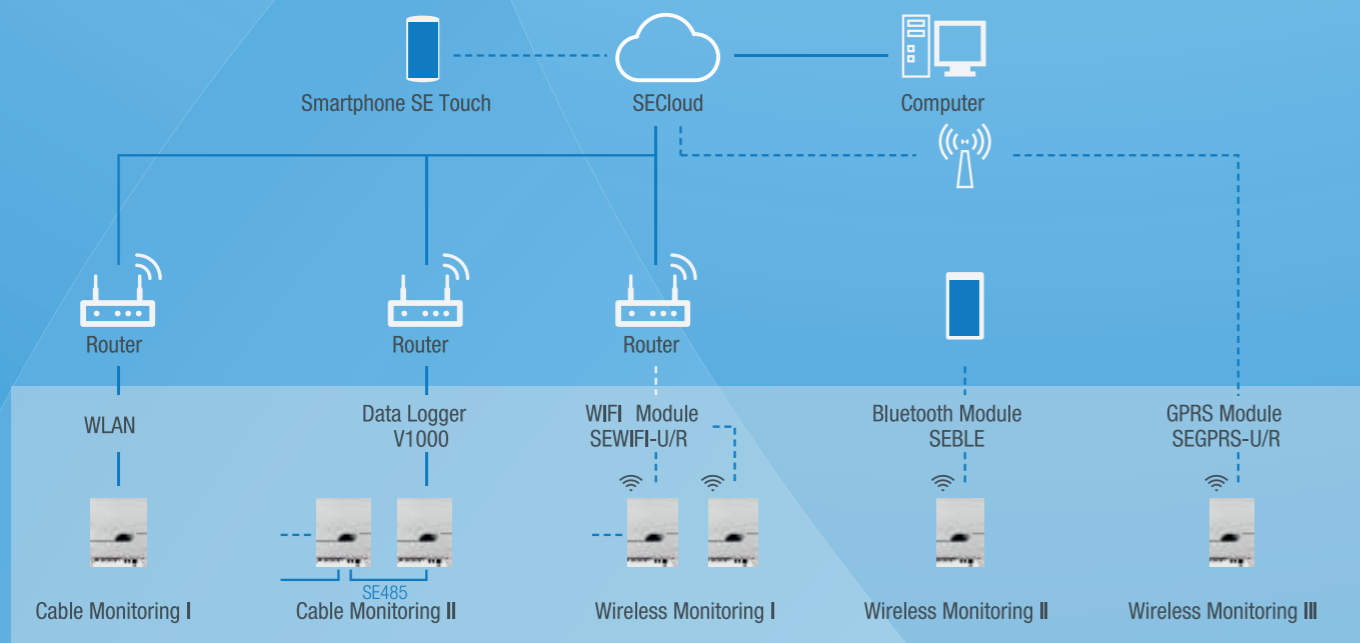
SPECIFICATIONS

MODEL	OG500K-M X	OG630K-MX	OG1000K-MX	OG1260-MX
INPUT				
Max. DC input power	550KW	690KW	1100KW	1386KW
Max. DC input voltage	900Vdc	900Vdc	900Vdc	1000Vdc
MPPT tracking voltage range	450~850Vdc (Rated voltage 576Vdc)			
Number of MPPT tracking	1			
Number of DC input tracking	8	10	16	20
Max. input current	1200A	1440A	2400A	2880A
OUTPUT				
Rated output power	500KW	630KW	1000KW	1260KW
Rated output voltage	400Vac	400Vac	315/400Vac	315/400Vac
AC output topology	3Ph+N+PE	3Ph+N+PE	3Ph+PE	3Ph+PE
Output voltage range	(1±15%) x Normal AC Voltage (adjustable ±5%,±10%,±15%,±20%)			
Gird frequency range	50/60Hz(±4.5Hz), (adjustable)			
Rated AC output current	722A	909A	2140/1836A	2310A
Max. AC output current	794A	1000A	2248/2014A	2424A
SYSTEM FEATURES				
Max. efficiency	>97.50%	>97.50%	>98.5%	>98.5%
Euro efficiency	>97.10%	>97.10%	>98.1%	>98.1%
MPPT efficiency	>99%			
Standby(night time) losses	<220W			
Cooling	Forced air cooling			
Communication interface	RS485, external Ethernet (optional)			
ENVIRONMENTAL				
Operating temperature	-40.0 to 55.0 °C & 0~95% (RH: non-condensing)			
Protection rating	IP54			
PHYSICAL				
Dimension W×H×D (mm)	3150×1850×1900	3150×1850×1900	6058×2896×2438	6058×2896×2438
Net Weight (kg)	5000	5200	7000	7200

PV INTELLIGENT CLOUD-BASED MONITORING SYSTEM

Intelligent Cloud Control, Control of Your World Anytime and Anywhere

Centered on Cloud server SECloud, PV Intelligent Cloud Monitoring System provides five cable or wireless access methods (WLAN/RS485/ WIFI/Bluetooth/GRPS) as well as two Clients - smartphone APP (SETouch) and PC internet browser, best suited for residential PV power station, business and industrial rooftop power station, farm and fish farm solar sharing PV power station and large ground-mounted power station system, et c. Depending on PV system monitoring requirements, it has various intelligent networking methods, allowing customers to monitor the operation of PV power station system anytime and anywhere.



Magnizon App

- Easy to install
- Available on Android/IOS
- Big data visualization and analysis

FLEXIBLE AND DIVERSIFIED COMMUNICATION ACCESSORIES TO MEET THE NEEDS OF VARIOUS TYPES OF APPLICATIONS

V1000: Preferred monitoring solution for commercial rooftop/ industry factory distributed PV power station
 SEWIFI-R/U: Preferred monitoring solution for residential rooftop distributed PV power station
 SEGPRS-R/U: Preferred monitoring solution for village-level "Aid-the-Poor" program



DATA LOGGER V1000

- Built-in Web Server, supporting LAN monitoring
- 12 Months data storage
- Automatic network-clock synchronization
- RS485 Interface for the Connection of Inverters
- Standard RJ45 Path Cable

Model	V1000
INPUT	
Nominal Voltage	5V
Max. Current	1A

GENERAL	
Operating Temperature	-20~500C
Ingress Protection	IP20
Protection	Class II
Humidity	0~95%

HMI & COM	
LED	Green/Red/Orange
RS485-1	Default, Half-Duplex
RS485-2	Optional, Half-Duplex
Data Output	Ethernet (RJ45)
Data Logging	12 months
Web Browser	Manage key parameters and monitor power generation data

Clock Sync	Automatically sync with time server
------------	-------------------------------------

MECHANICAL	
Dimension (W*H*D)	118mm*78mm*29mm
Weight	0.25kg

CERTIFICATION	
Safety	CE/LVD



WIFI COMMUNICATION MODULE SEWIFI-R/U

- Plug and play, quick and convenient
- Preferred monitoring solution for residential use

Model	SEWIFI-R	SEWIFI-U
INPUT		
Connection	TTL serial	USB
Standard	802.11 b/g/n	
Distances	100m	
Setting	APP/WEB	

INPUT		
Input Voltage	DC 5V	
Static Power Consumption	<1.6W	

GENERAL		
Operating temperature	-25°C~60°C	
Humidity	10%~90%	
Protection	IP65	IP20
Dimension (L*W*H)	71.4mm*71mm*38mm/ 59.5mm*21.98mm*9.18mm	

CERTIFICATION		
Safety	FCC, CE, ROHS	



GPRS COMMUNICATION MODULE SEGPRS-R/U

- Mobile internet monitoring, best suited for rural and remote areas
- Preferred monitoring solution for PV poverty alleviation project
- Protection rang of IP65

Model	SEGPRS-R	SEGPRS-U
INPUT		
Connection	TTL serial	USB
Standard	GSM/GPRS	
Distances	----	
Setting	Plug and Play	

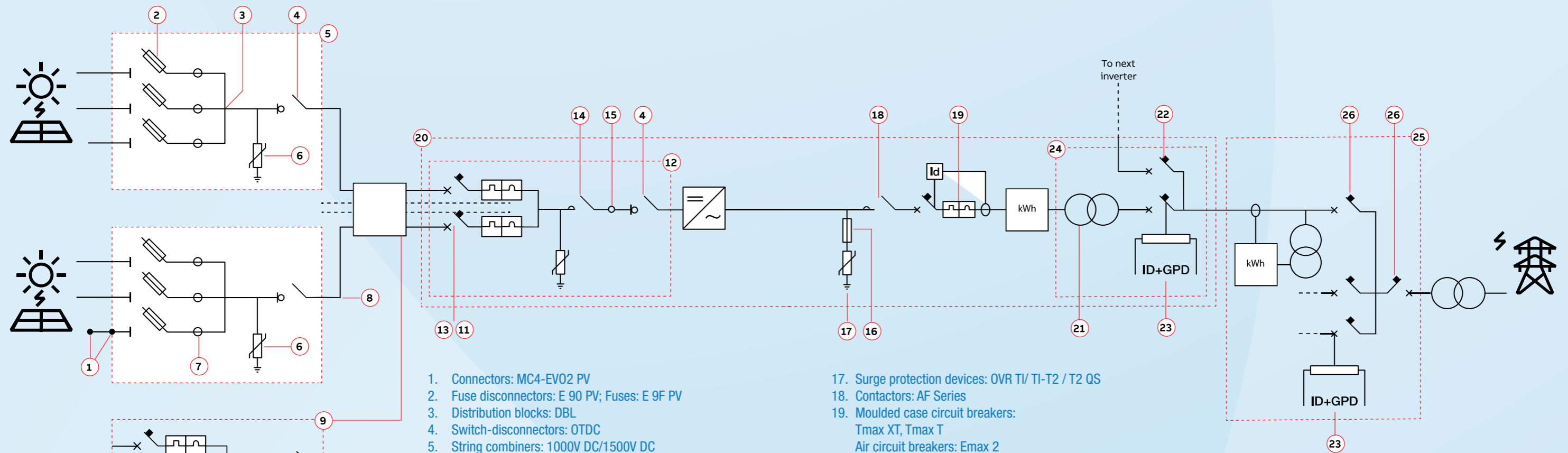
INPUT		
Input Voltage	DC 5V	
Static Power Consumption	<2W	

GENERAL		
Operating temperature	-25°C~60°C	
Humidity	10%~90%	
Protection	IP65	
Dimension (L*W*H)	71.4mm*71mm*38mm/ 120mm*80mm*32.7mm	

CERTIFICATION		
Safety	FCC, CE, ROHS	

EXAMPLES OF PHOTOVOLTAIC APPLICATIONS

Sistemi utility scale > 1000 kW MT/AT



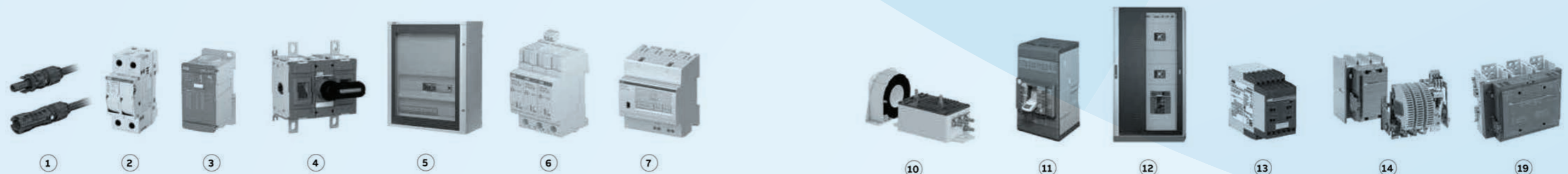
1. Connectors: MC4-EV02 PV
2. Fuse disconnectors: E 90 PV; Fuses: E 9F PV
3. Distribution blocks: DBL
4. Switch-disconnectors: OTDC
5. String combiners: 1000V DC/1500V DC
Switchboards: Gemini
6. Surge Protection Devices: OVR PV QS
7. Current measurement system: CMS
8. String Monitoring Controller
9. Recombiner
10. Current and voltage sensors: ES-VS Series
11. Moulded Case Circuit Breakers: Tmax PV
12. Switchboards: System pro E power
13. Insulation monitoring devices: CM-IWx
14. Contactors: GAF Series, IOR Series rail contactors
15. GFDI Application: S804U-PVS5
16. Fuse disconnectors: E 90

17. Surge protection devices: OVR TI/ TI-T2 / T2 QS
18. Contactors: AF Series
19. Moulded case circuit breakers:
Tmax XT, Tmax T
Air circuit breakers: Emax 2

MEDIUM-VOLTAGE PRODUCTS:

20. Megawatt station
21. Transformers: Dry-type transformers, oil-immersed transformers
22. Gas-insulated secondary switchgear: SafeRing / Safeplus
Air-insulated secondary switchgear: UniSec
Air-insulated switch-disconnector: NALF
Recloser: Gridshield
Circuit breaker: VD4
23. Interface protection system: ABB Relion» Family, REG615

24. Modular Systems: Compact Secondary Substation, Secondary Skid Unit, Secondary Enclosed Unit
25. eHouse, skid-mounted substation
26. Gas-insulated switchgear: ZX product family
Air-insulated primary switchgear: UniGear product family, UniGear Digital
Air-insulated secondary switchgear: UniSec
Outdoor breakers: R-MAG™ (dead tank), OVB-VBF (life tank)
Recloser: Gridshield



PHOTOVOLTAIC SOLUTION PV COMBINER BOX

Due to their small size, system protection is often overlooked within residential PV installations. On the contrary adequate protection of the DC and AC circuits in residential installations is just as critical as in much larger systems. Typically made of one or two strings of eight modules, high voltage DC cables may be run throughout the residential building; here it is critical to protect people and property from re and death in the event of accidental damage or system failure.



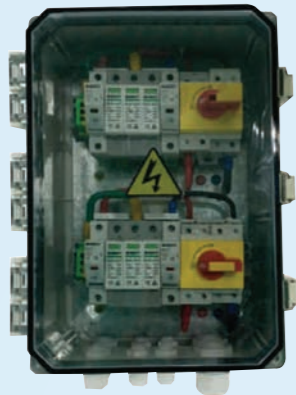
1 STRING INPUT 1 STRING OUTPUT

Type	BHS-1/1
IP Protection	IP65
Enclosure Material	100% Poly-carbonate, Anti-UV protection
Enclosure Size	300x250x125mm
DC Fuse	10*38mm 1000V DC 15A (Changeable)
DC Switch	32A Max ,600V DC ~1000V DC
DC DPS	1000V DC 20/40KA Type II
Installation	Out-Door or In-Door



2 STRING INPUT 1 STRING OUTPUT

Type	BHS-2/1
IP Protection	IP65
Enclosure Material	100% Poly-carbonate, Anti-UV protection
Enclosure Size	300x250x125mm
DC Fuse	10*38mm 1000V DC 15A (Changeable)
DC Switch	32A Max ,600V DC ~1000V DC
DC DPS	1000V DC 20/40KA Type II
Installation	Out-Door or In-Doo



2 STRING INPUT 2 STRING OUTPUT

Type	BHS-2/2
IP Protection	IP65
Enclosure Material	100% Poly-carbonate, Anti-UV protection
Enclosure Size	350x250x180 mm
DC Fuse	10*38mm 1000V DC 15A (Changeable)
DC Switch	32A Max ,600V DC ~1000V DC
DC DPS	1000V DC 20/40KA Type II
Installation	Out-Door or In-Door



3 STRING INPUT 1 STRING OUTPUT

Type	BHS-3/1
IP Protection	IP65
Enclosure Material	100% Poly-carbonate, Anti-UV protection
Enclosure Size	350x250x180mm
DC Fuse	10*38mm 1000V DC 15A (Changeable)
DC Switch	32A Max ,600V DC ~1000V DC
DC DPS	1000V DC 20/40KA Type II
Installation	Out-Door or In-Door



4 STRING INPUT 1 STRING OUTPUT

Type	BHS-4/1
IP Protection	IP65
Enclosure Material	100% Poly-carbonate, Anti-UV protection
Enclosure Size	340X240X160mm
DC Fuse	10*38mm 1000V DC 15A (Changeable)
DC Switch	63A Max ,1000V DC
DC DPS	1000V DC 20/40KA Type II
Installation	Out-Door or In-Door



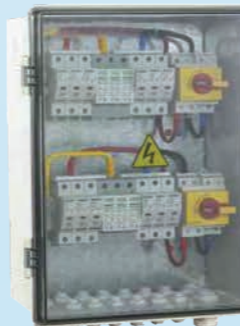
4 STRING INPUT 2 STRING OUTPUT

Type	BHS-4/2
IP Protection	IP65
Enclosure Material	100% Poly-carbonate, Anti-UV protection
Enclosure Size	400X300X150mm
DC Fuse 10*38mm	1000V DC 15A (Changeable)
DC Switch	32A Max ,1000V DC
DC DPS	1000V DC 20/40KA Type II
Installation	Out-Door or In-DoorBHS-2/1



6 STRING INPUT 1 STRING OUTPUT

Type	BHS-6/1
IP Protection	IP65
Enclosure Material	100% Poly-carbonate ,Anti-UV protection
Enclosure Size	500X400X210mm
DC Fuse	10*38mm 1000V DC 15A(Changeable)
DC Switch	120A Max ,1000V DC
DC DPS	1000V DC 20/40KA Type II
Installation	Out-Door or In-Door



6 STRING INPUT 2 STRING OUTPUT

Type	BHS-6/2
IP Protection	IP65
Enclosure Material	100% Poly-carbonate ,Anti-UV protection
Enclosure Size	300x400x150 mm;
DC Fuse	10*38mm 1000V DC 15A(Changeable)
DC Switch	32A Max ,1000V DC
DC DPS	1000V DC 20/40KA Type II
Installation	Out-Door or In-Door



16 STRING INPUT 1 STRING OUTPUT

Type	BHTZ-16/1R
IP Protection	IP65
Enclosure Material	Steel with Powder Coated
Enclosure Size	850x650x210mm
Voltage	1000V DC Max
DC Fuse	10*38mm 1000V DC 15A(Changeable)
DC Switch	250A Max ,1000V DC
DC DPS	1000V DC 20/40KA Type II
Protocol	RS485/MODBUS-RTU
Monitoring Device	Monitoring DC voltage and Current of sub-array
Power Supply	Self-Supplied DC24V
Installation	Out-Door or In-Door

APPLICATIONS

ON-GRID SYSTEM SETUP

On-Grid Systems are solar PV systems that only generate power when the utility power grid is available, of course adequate sun shine must be available at site. Plant must connect to the grid to function.

COMMERCIAL APPLICATIONS

Range starts from 10MW and goes up to 500MW and above. Power plant works parallel to utility and cater the peak load demands during day time. Magnizon is well equipped with strong financial support to handle utility grade solar power plants through PPA/BOT/PPP contracts. Scope includes, Solar power plant and accessories, high capacity power transformers , switchyards and HT and OHT transmission and control system.



INDUSTRIAL APPLICATIONS

Plant range varies from 10KW to 10MW. Most cases with 3-ph, 380/400/415V AC system. Specific application may also uses MV system . PV plant works during sun shine days and reduces the energy dependency on utility by 70-80%. PV plant can send excess power generated back to the grid when you are overproducing so you credit it for later use or get paid by the utility companies depends on national grid regulations. Ware houses and production plants are very much suitable entities for the PV plant setup.



RESIDENTIAL APPLICATIONS

Range starts from 1KW to 20KW , both 1-Ph and 3-Ph 380/400/415V environment. Independent house, villas and community house etc are perfect fit for residential PV plants. Most of the house will have limitations on space available to install PV plants. Smaller plant- smaller investment and free power for 25 ~30years.





RoHS



info@magnizon.com www.magnizon.com

We conceptualize a unique way simplifying and customizing the products, at the same time ensuring best possible and optimized techno-commercial solutions to our customers.

Copyright c 2018 Magnizon. All trademarks are the sole property their respective owners. Magnizon has a policy of continuous improvement.

Specificatios are subject to change without notice. Photos may change slightly from final products.

magnizon magnizon1 +971 56 63 58098 @magnizon1 magnizon

